

SIMPLE PLANTER BOX

These free plans are courtesy of

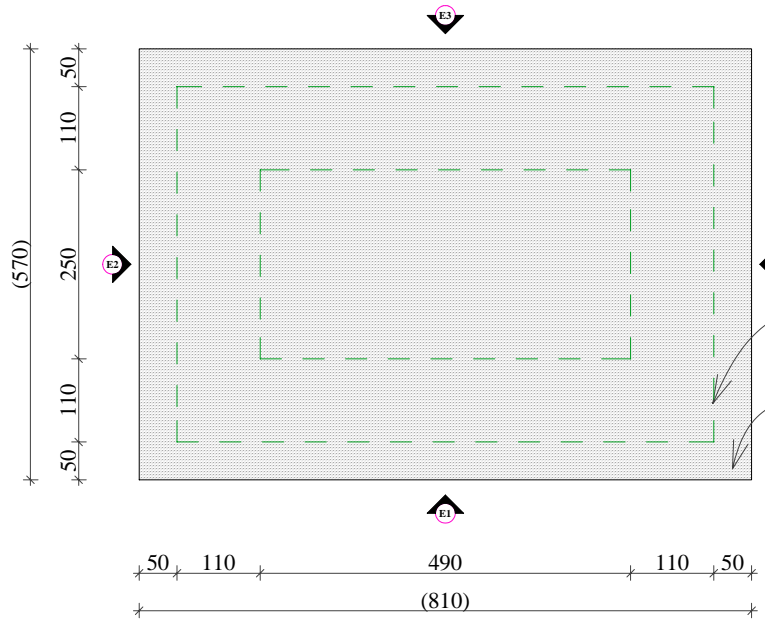
www.Brickwork.Net.Au

An Australian website dedicated to all things brickwork, from how to lay, to getting help with any problems you may have with your brickwork.

Learn new ideas, get tips and hints.

In order to get the most from these plans be sure to visit www.Brickwork.Net.Au for detailed information on preparation, laying and finishing.



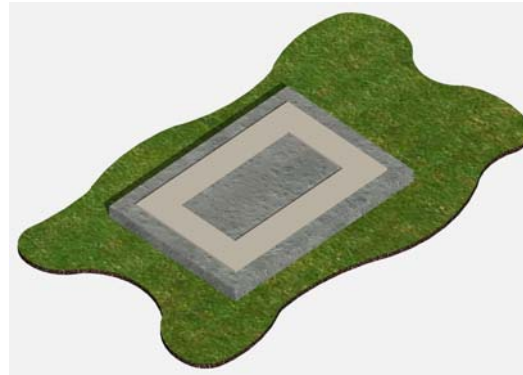


NOTE:

For a letter box or fence pier it is better to go deeper for the footing / base as the area of brickwork will be a lot smaller in comparison to a BBQ or such and will not have the area to distribute the weight.

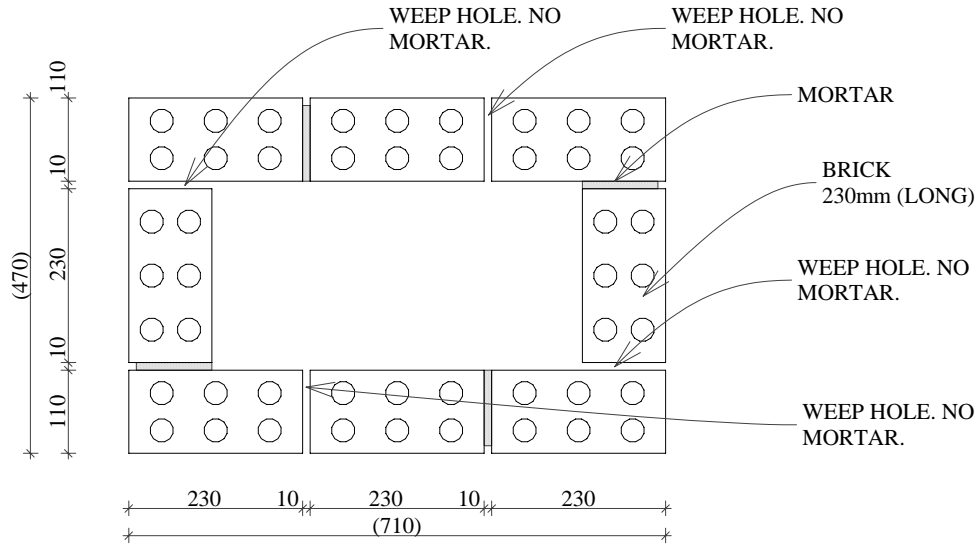
The concrete should ideally project from the base of the brickwork by about 50-100mm or so, its not vital that it does project, it just gives the concrete more bearing on the ground which helps spread the weight a little more.

OUTLINE OF FIRST COURSE ABOVE SHOWN DASHED
CONCRETE BASE



Courses	Metric (mm)	Imperial
1	56	3 3/8"
2	172	6 3/4"
3	258	10 1/8"
4	344	13 1/2"
5	430	16 7/8"
6	516	20 1/4"
7	602	23 5/8"
8	688	27"
9	775	30 3/8"
10	860	33 3/4"

STEP #1 - GROUND SLAB PREPARATION 1:10



NOTES:
THIS PLAN HAVE BEEN PROVIDED FREE OF CHARGE COURTESY OF www.BrickworkNet.Au. THEY ARE INTENDED TO BE USED AS A GUIDE ONLY. IF IN DOUBT PLEASE CONSULT A PROFESSIONAL. THE ORGINISERS OF www.BrickworkNet.Au CANNOT BE HELD RESPONSIBLE FOR ANY MATTERS ARISING FROM THE USE OF THESE PLANS.

ALL DIMENSIONS ARE IN MILLIMETERS (mm) UNLESS OTHERWISE NOTED.

Job Title
SIMPLE PLANTER BOX

Drawing Title
BASE SLAB / FIRST COURSE

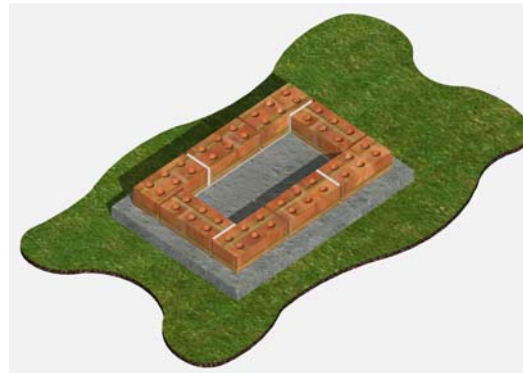
Drawn by **MS**

Date **FEBRUARY 2007**

Scales **AS INDICATED @ A4**

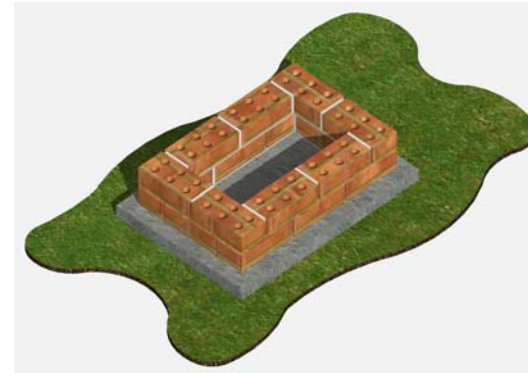
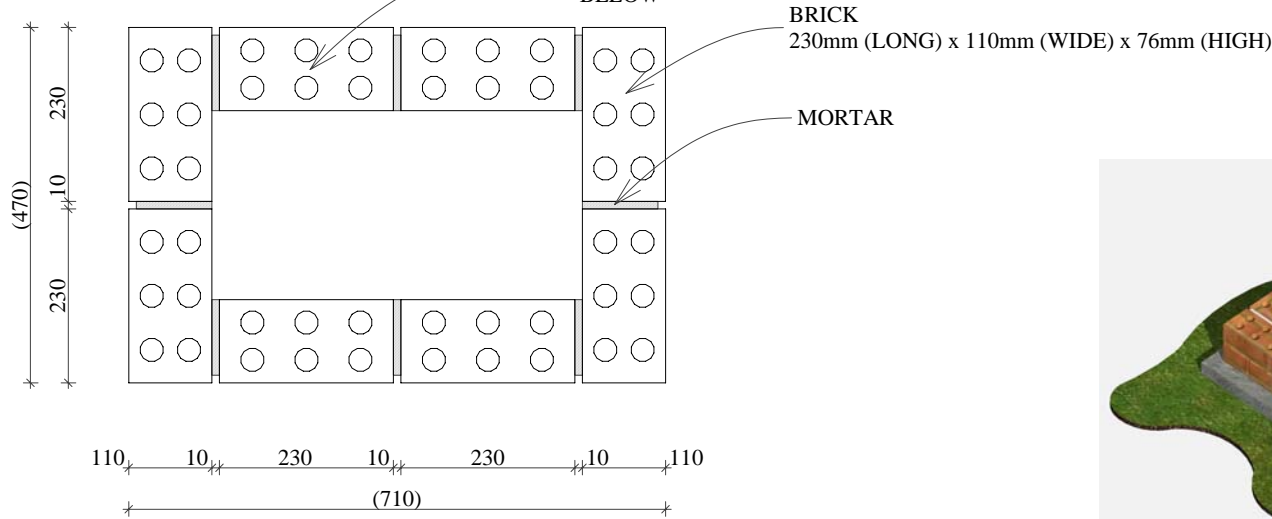
Drawing Number
A-02/6

© www.Brickwork.Net.Au



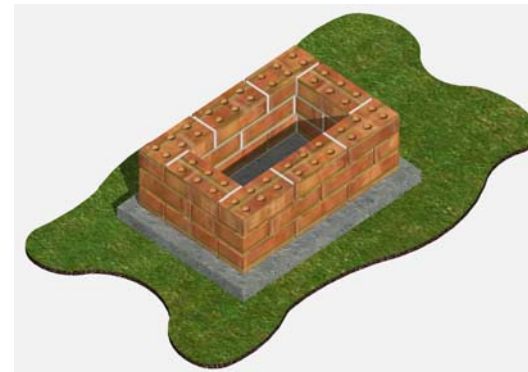
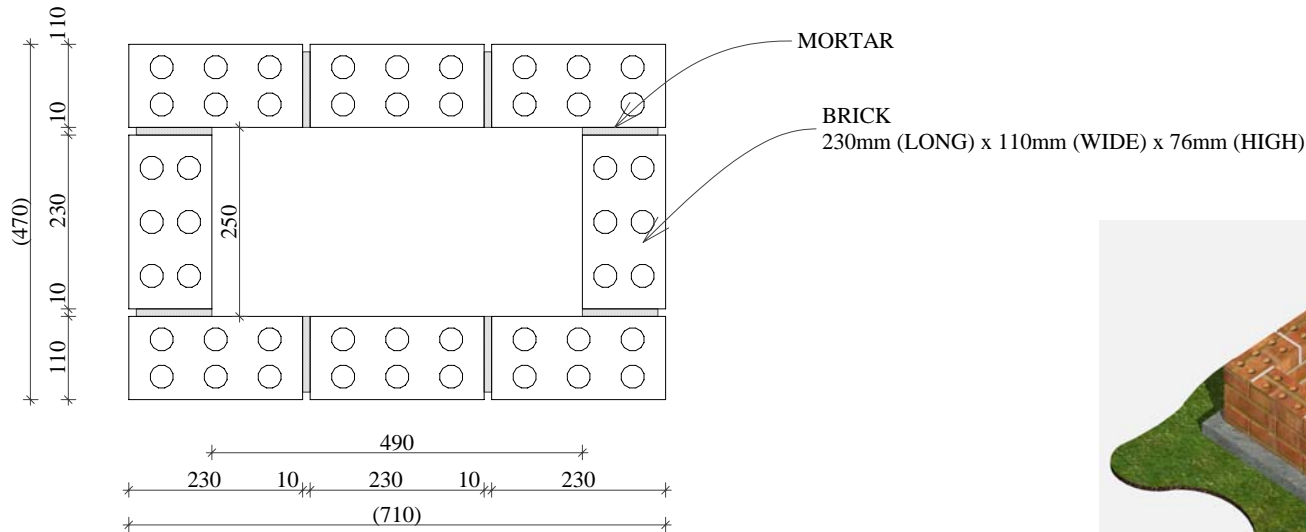
STEP #2 - BRICK COURSE #1 1:10

NOTE: BRICK LAYOUT ALTERNATES FROM PREVIOUS COURSE WITH FULL BRICK OVER MORTAR GAP BELOW



Courses	Metric (mm)	Imperial
1	56	3 3/8"
2	172	6 3/4"
3	258	10 1/8"
4	344	13 1/2"
5	430	16 7/8"
6	516	20 1/4"
7	602	23 5/8"
8	688	27"
9	775	30 3/8"
10	860	33 3/4"

STEP #3 - BRICK COURSE #2 1:10

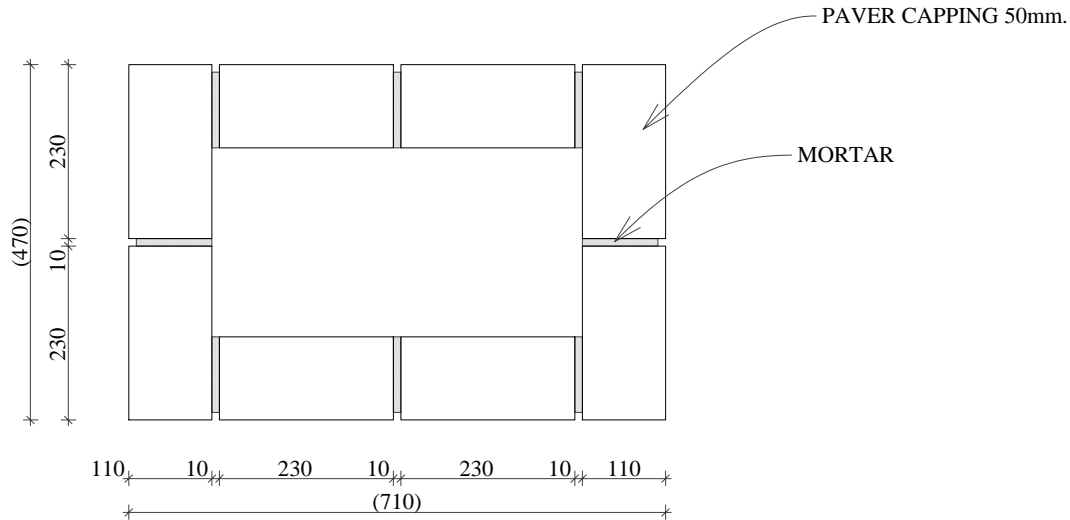


NOTES:
THIS PLAN HAVE BEEN PROVIDED FREE OF CHARGE COURTESY OF www.BrickworkNet.Au. THEY ARE INTENDED TO BE USED AS A GUIDE ONLY. IF IN DOUBT PLEASE CONSULT A PROFESSIONAL. THE ORGINISERS OF www.BrickworkNet.Au CANNOT BE HELD RESPONSIBLE FOR ANY MATTERS ARISING FROM THE USE OF THESE PLANS.

ALL DIMENSIONS ARE IN MILLIMETERS (mm) UNLESS OTHERWISE NOTED.

Job Title	SIMPLE PLANTER BOX
Drawing Title	FIRST & SECOND COURSE
Drawn by	MS
Date	FEBRUARY 2007
Scales	AS INDICATED @ A4
Drawing Number	A-03/6

STEP #2 - BRICK COURSE #3 1:10



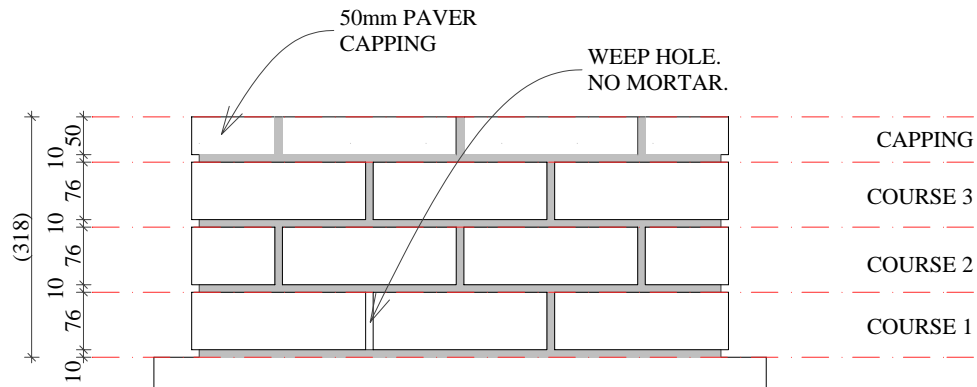
STEP #5 - CAPPING COURSE 1:10

Courses	Metric (mm)	Imperial
1	56	3 3/8"
2	172	6 3/4"
3	258	10 1/8"
4	344	13 1/2"
5	430	16 7/8"
6	516	20 1/4"
7	602	23 5/8"
8	688	27"
9	775	30 3/8"
10	860	33 3/4"

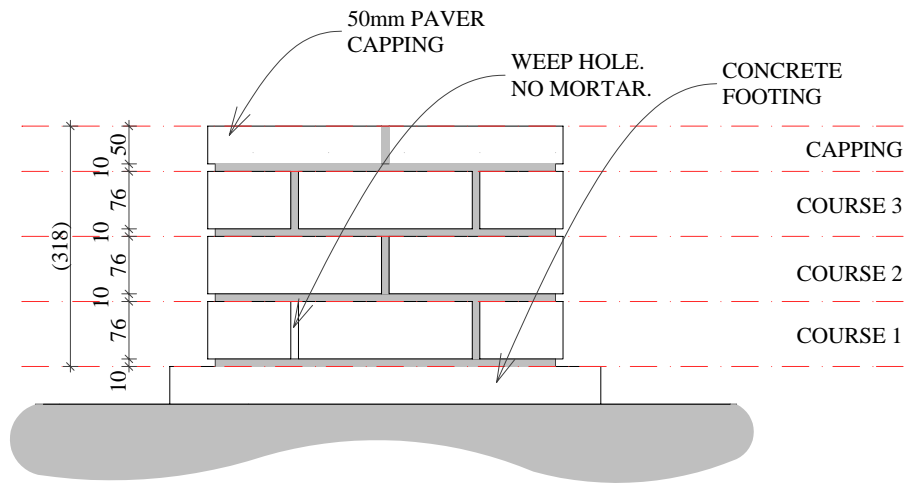
NOTES:
 THIS PLAN HAVE BEEN PROVIDED FREE OF CHARGE COURTESY OF www.BrickworkNet.Au. THEY ARE INTENDED TO BE USED AS A GUIDE ONLY. IF IN DOUBT PLEASE CONSULT A PROFESSIONAL. THE ORGINISERS OF www.BrickworkNet.Au CANNOT BE HELD RESPONSIBLE FOR ANY MATTERS ARISING FROM THE USE OF THESE PLANS.

ALL DIMENSIONS ARE IN MILLIMETERS (mm) UNLESS OTHERWISE NOTED.

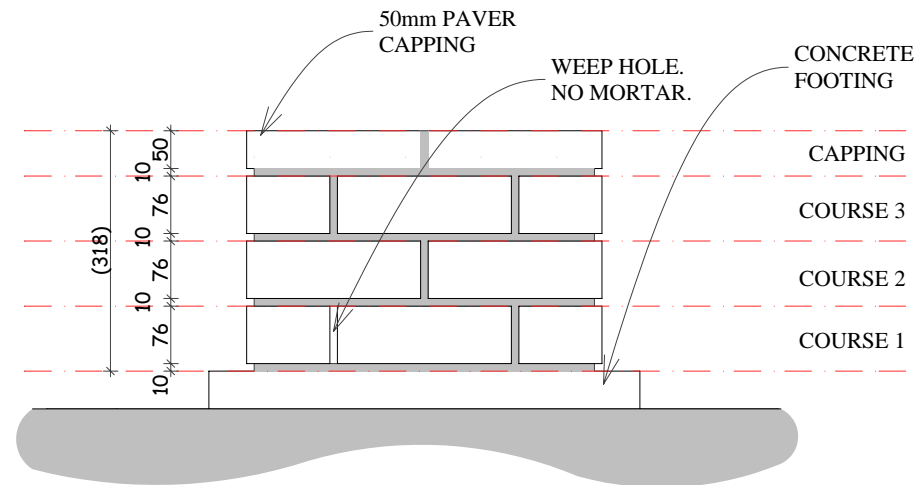
Job Title	SIMPLE PLANTER BOX
Drawing Title	FOURTH COURSE & ELEVATION
Drawn by	MS
Date	FEBRUARY 2007
Scales	AS INDICATED @ A4
Drawing Number	A-04/6



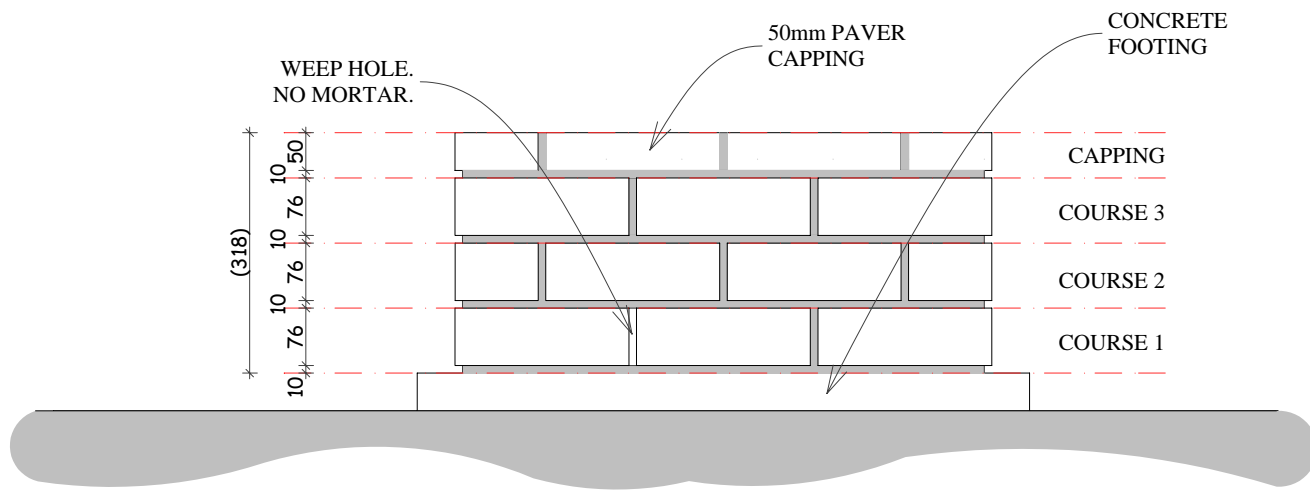
ELEVATION E1 1:10



ELEVATION E2 1:10



ELEVATION E4 1:10



ELEVATION E3 1:10

Courses	Metric (mm)	Imperial
1	56	3 3/8"
2	172	6 3/4"
3	258	10 1/8"
4	344	13 1/2"
5	430	16 7/8"
6	516	20 1/4"
7	602	23 5/8"
8	688	27"
9	775	30 3/8"
10	860	33 3/4"

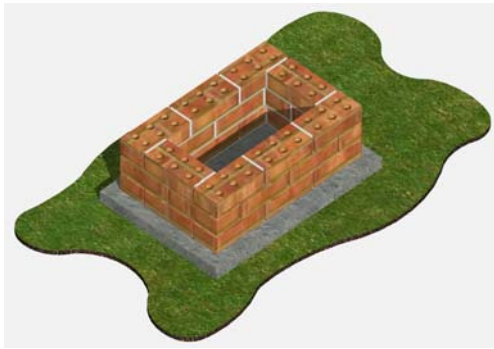
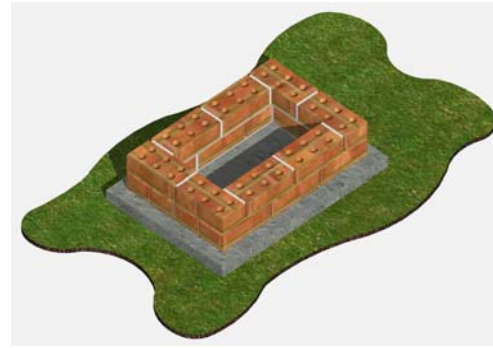
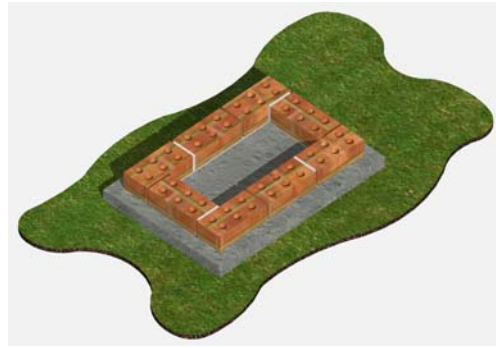
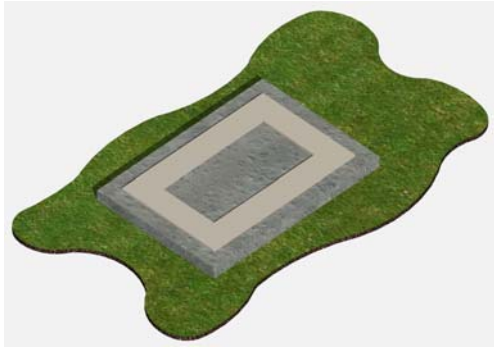
NOTES:
 THIS PLAN HAVE BEEN PROVIDED FREE OF CHARGE
 COURTESY OF www.BrickworkNet.Au. THEY ARE
 INTENDED TO BE USED AS A GUIDE ONLY. IF IN
 DOUBT PLEASE CONSULT A PROFESSIONAL. THE
 ORGINISERS OF www.BrickworkNet.Au CANNOT BE
 HELD RESPONSIBLE FOR ANY MATTERS ARISING
 FROM THE USE OF THESE PLANS.

ALL DIMENSIONS ARE IN MILLIMETERS (mm)
 UNLESS OTHERWISE NOTED.

Job Title
SIMPLE PLANTER BOX
 Drawing Title
ELEVATIONS

Drawn by **MS**
 Date **FEBRUARY 2007**
 Scales **AS INDICATED @ A4**

Drawing Number
A-05/6



PROGRESSION PERSPECTIVES

NOTES:
THIS PLAN HAVE BEEN PROVIDED FREE OF CHARGE
COURTESY OF www.BrickworkNet.Au. THEY ARE
INTENDED TO BE USED AS A GUIDE ONLY. IF IN
DOUBT PLEASE CONSULT A PROFESSIONAL. THE
ORGINISERS OF www.BrickworkNet.Au CANNOT BE
HELD RESPONSIBLE FOR ANY MATTERS ARRISING
FROM THE USE OF THESE PLANS.

ALL DIMENSIONS ARE IN MILLIMETERS (mm)
UNLESS OTHERWISE NOTED.

Job Title

SIMPLE PLANTER BOX

Drawing Title

PERSPECTIVES

Drawn by MS

Date FEBRUARY 2007

Scales AS INDICATED @ A4

Drawing Number

A-06/6

© www.Brickwork.Net.Au